

Regular Surgeon Needles
3/8 Circle Cutting Edge
Spring Eye

08622: non-sterile, stainless
 12/pkg

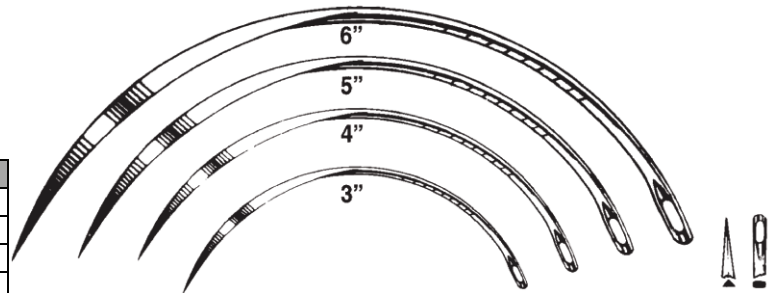
Available Sizes	Dimensions
12	.69mm x 30mm
18	.61mm x 22mm



Post Mortem Needles
3/8 Circle Cutting Edge

08816: non-sterile, stainless
 12/pkg

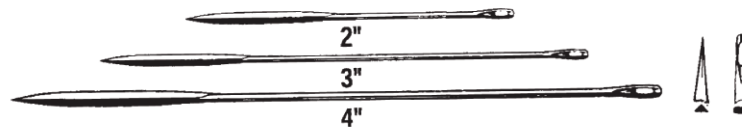
Available Sizes	Dimensions
3	1.42mm x 75mm
4	1.80mm x 100mm
5	2.00mm x 125mm
6	2.00mm x 152mm



Straight Cutting Needles
Triangular Point

08817: non-sterile, stainless
 12/pkg

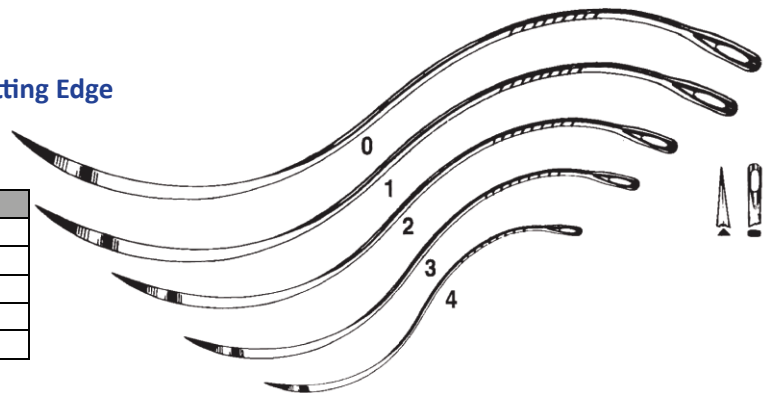
Available Sizes	Dimensions
2	1.02mm x 2"
3	1.27mm x 3"
4	1.42mm x 4"



Post Mortem Needles
Serpentine Double Curved Cutting Edge

08819: non-sterile, stainless
 12/pkg

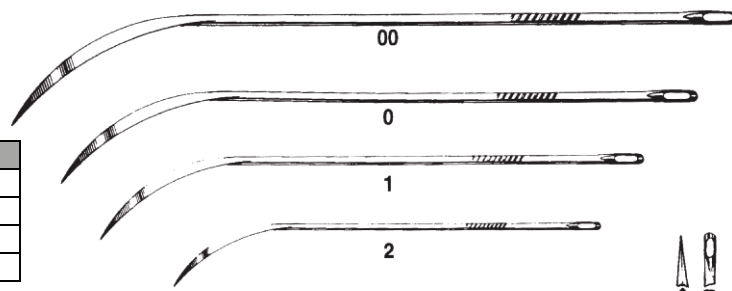
Available Sizes	Dimensions
0	5"
1	4.75"
2	4.25"
3	3.25"
4	2.25"



Post Mortem Needles
Half Curved Cutting Edge

08820: non-sterile, stainless
 12/pkg

Available Sizes	Dimensions
00	2.20mm x 150mm
0	2.20mm x 140mm
1	2.00mm x 114mm
2	1.8mm x 89mm

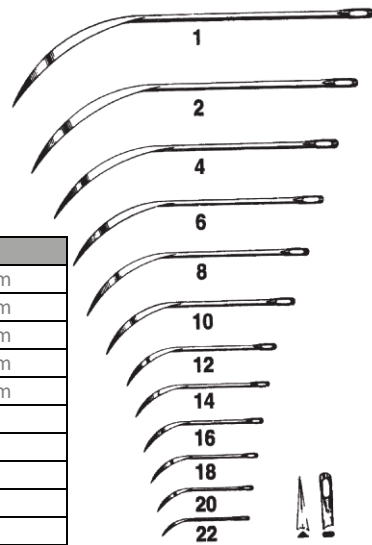


*Needles are not shown to actual size.

Regular Surgeon Needles
Half Curved Cutting Edge

08821: non-sterile, stainless
12/pkg

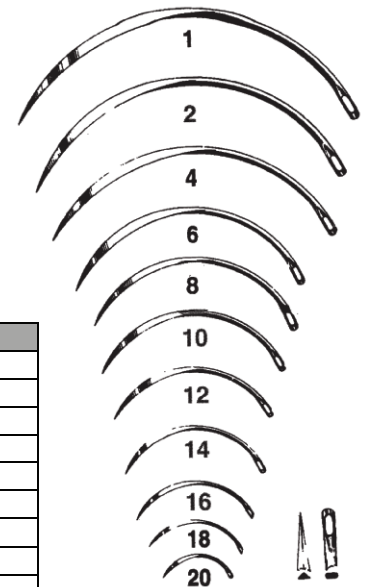
Available Sizes	Dimensions
1	1.21mm x 80mm
2	1.20mm x 68mm
4	1.20mm x 64mm
6	1.10mm x 55mm
8	1.00mm x 50mm
10	.93mm x 43mm
12	.76mm x 35mm
14	.69mm x 29mm
16	.60mm x 27mm
18	.64mm x 25mm
20	.53mm x 22mm
22	.50mm x 19mm



Regular Surgeon Needles
3/8 Circle Cutting Edge

08822: non-sterile, stainless
12/pkg

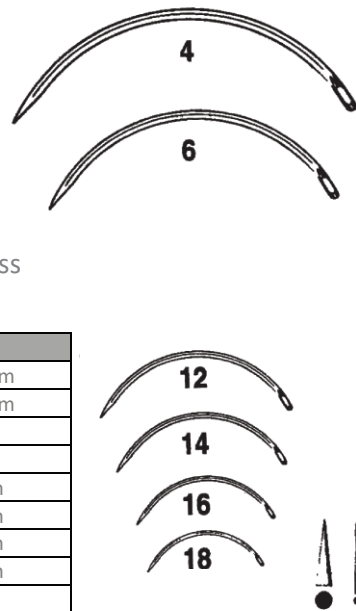
Available Sizes	Dimensions
1	1.20mm x 80mm
2	1.22mm x 68mm
4	1.21mm x 64mm
6	1.10mm x 55mm
8	1.00mm x 50mm
10	.94mm x 43mm
12	.76mm x 35mm
14	.69mm x 29mm
16	.64mm x 27mm
18	.53mm x 22mm
20	.48mm x 17mm



Regular Surgeon Needles
3/8 Circle Taper Point

08822T: non-sterile, stainless
12/pkg

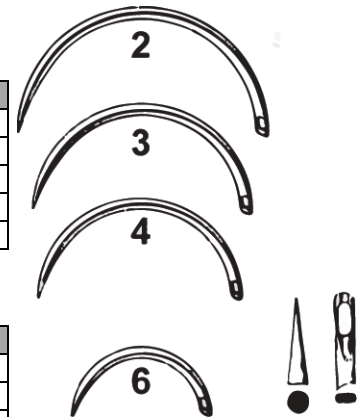
Available Sizes	Dimensions
4	1.16mm x 65mm
6	1.09mm x 55mm
12	.76mm x 35mm
14	.69mm x 29mm
16	.64mm x 27mm
18	.53mm x 22mm



Mayo's Catgut Needles
1/2 Circle Taper Point

08824: non-sterile, stainless
12/pkg

Available Sizes	Dimensions
2	1.40mm x 45mm
3	1.40mm x 38mm
4	1.40mm x 35mm
6	1.30mm x 28mm



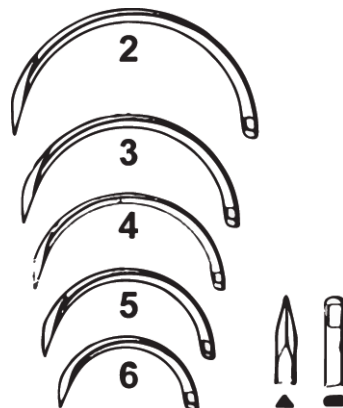
09824: sterile, stainless
50/box

Available Sizes	Dimensions
2	1.40mm x 45mm
3	1.40mm x 38mm
4	1.40mm x 35mm
5	1.30mm x 32mm
6	1.30mm x 28mm

Mayo's Catgut Needles
1/2 Circle Trocar Point

09826: sterile, stainless
50/box

Available Sizes	Dimensions
2	1.40mm x 45mm
3	1.40mm x 38mm
4	1.40mm x 35mm
5	1.30mm x 32mm
6	1.30mm x 28mm



*Needles are not shown to actual size.

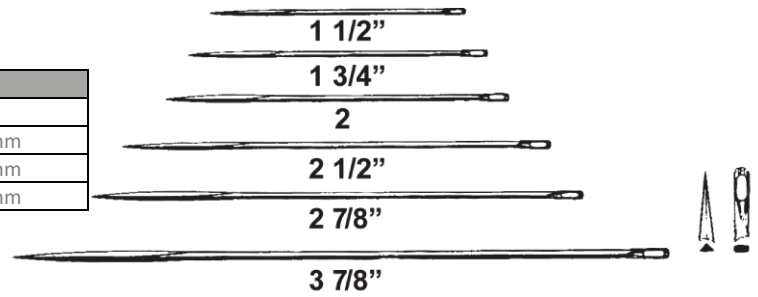
Keith's Straight Abdominal Needles
Triangular Point

08827: non-sterile, stainless
12/pkg

Available Sizes	Dimensions
1 1/2	.74mm x 38mm
1 3/4	.75mm x 44mm
2	.76mm x 51mm
2 1/2	.81mm x 64mm
2 7/8	.92mm x 76mm
3 7/8	1.00mm x 95mm

09827: sterile, stainless
50/box

Available Sizes	Dimensions
2	.76mm x 51mm
2 1/2	.81mm x 64mm
2 7/8	.83mm x 76mm



Eye Needles
3/8 Circle Cutting Edge

08830: non-sterile, stainless
12/pkg

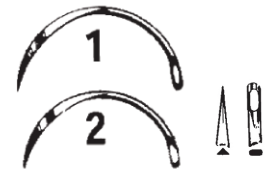
Available Sizes	Dimensions
1	.53mm x 28mm
2	.53mm x 22mm



Eye Needles
1/2 Circle Cutting Edge

08831: non-sterile, stainless
12/pkg

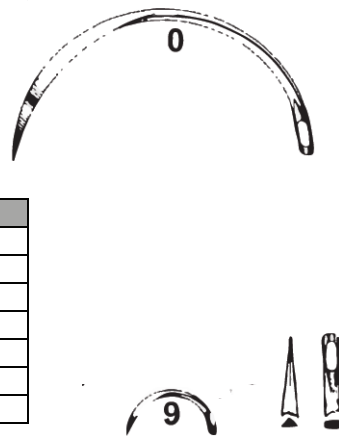
Available Sizes	Dimensions
1	.53mm x 25mm
2	.53mm x 22mm



Fistula Needles
1/2 Circle Cutting Edge

08832: non-sterile, stainless
12/pkg

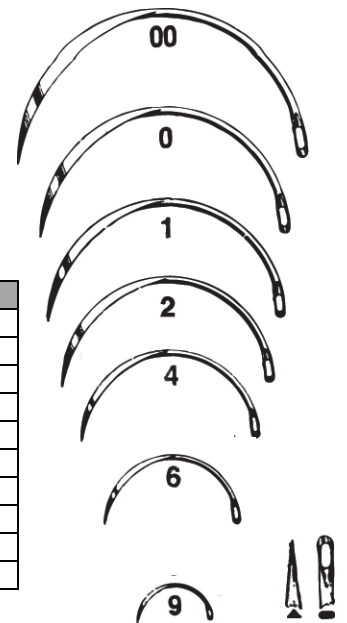
Available Sizes	Dimensions
0	1.42mm x 64mm
9	.76mm x 19mm



Regular Surgeon Needles
1/2 Circle Cutting Edge

08834: non-sterile, stainless
12/pkg

Available Sizes	Dimensions
00	1.20mm x 68mm
0	1.20mm x 64mm
1	1.09mm x 59mm
2	1.00mm x 50mm
4	.90mm x 43mm
6	.68mm x 29mm
9	.50mm x 19mm

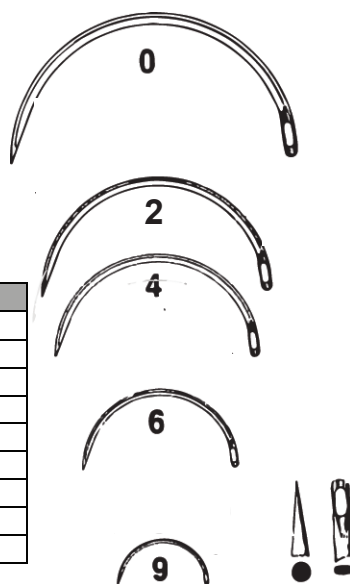


*Needles are not shown to actual size.

Regular Surgeon Needles 1/2 Circle Taper Point

08834T: non-sterile, stainless
12/pkg

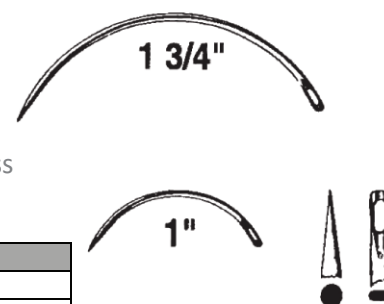
Available Sizes	Dimensions
0	1.20mm x 64mm
2	1.00mm x 50mm
4	.90mm x 43mm
6	.68mm x 29mm
9	.53mm x 19mm



Mayo's Intestinal Needles 3/8 Circle Taper Point

08837: non-sterile, stainless
12/pkg

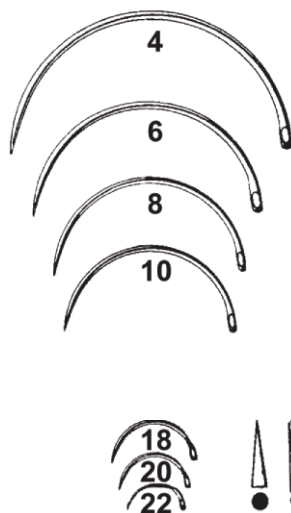
Available Sizes	Dimensions
1	.53mm x 25mm
1 3/4	.76mm x 45mm



Ferguson's Needles 1/2 Circle Taper Point

08842: non-sterile, stainless
12/pkg

Available Sizes	Dimensions
4	1.22mm x 60mm
6	1.10mm x 55mm
8	.92mm x 44mm
18	.53mm x 19mm
20	.64mm x 15mm
22	.53mm x 13mm



09842: sterile, stainless
50/box

Available Sizes	Dimensions
2	1.22 mm x 69mm

Lane's Cleft Palate Needles 1/2 Circle Cutting Edge

08844: non-sterile, stainless
12/pkg

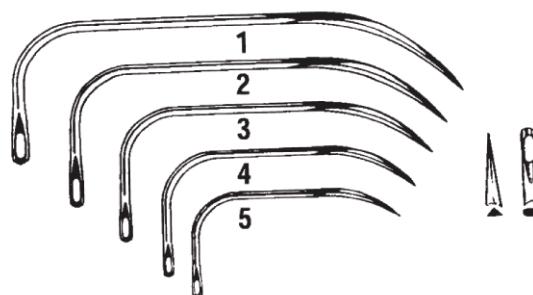
Available Sizes	Dimensions
1	.71mm x 25mm



Loopuyt's Cutting Edge Needles

08846: non-sterile, stainless
12/pkg

Available Sizes	Dimensions
1	1.42mm x 80mm
2	1.22mm x 68mm
3	1.10mm x 60mm
4	1.00mm x 52mm
5	1.00mm x 46mm



*Needles are not shown to actual size.

Lane's Cleft Palate Needles
3/8 Circle Cutting Edge

08848: non-sterile, stainless
 12/pkg

Available Sizes	Dimensions
1	.71mm x 22mm
2	.69mm x 19mm



Davis Tonsil Needles
1/2 Circle Taper Point

09849: sterile, stainless
 50/box

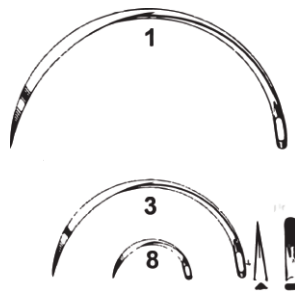
Available Sizes	Dimensions
one size	1.20mm x 25mm



Martin's Uterine Needles
1/2 Circle Cutting Edge

08860: non-sterile, stainless
 12/pkg

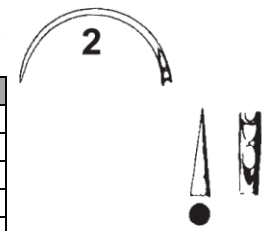
Available Sizes	Dimensions
1	1.60mm x 74mm
3	1.27mm x 54mm
8	.86mm x 22mm



French Spring Eye Needles
1/2 Circle Taper Point

09871: sterile, stainless
 50/box

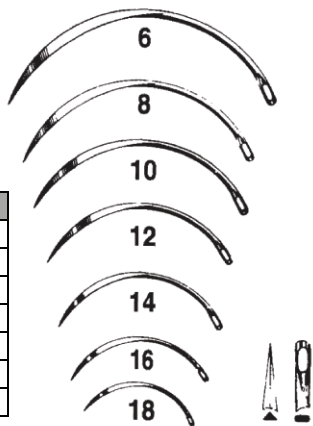
Available Sizes	Dimensions
2	.76mm x 26mm



Regular Surgeon Needles
3/8 Circle Reverse Cutting Edge

08922: non-sterile, stainless
 12/pkg

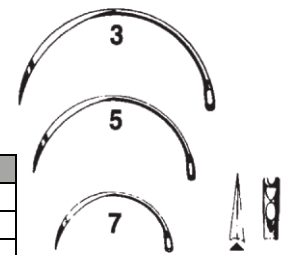
Available Sizes	Dimensions
6	1.10mm x 55mm
8	1.00mm x 50mm
10	.93mm x 43mm
12	.76mm x 35mm
14	.69mm x 29mm
16	.64mm x 27mm
18	.53mm x 22mm



Regular Surgeon Needles
1/2 Circle Reverse Cutting Edge

08934: non-sterile, stainless
 12/pkg

Available Sizes	Dimensions
3	1.00mm x 50mm
5	.85mm x 38mm
7	.60mm x 27mm



*Needles are not shown to actual size.